

# HI-NOX series

from 2 to 60 litres

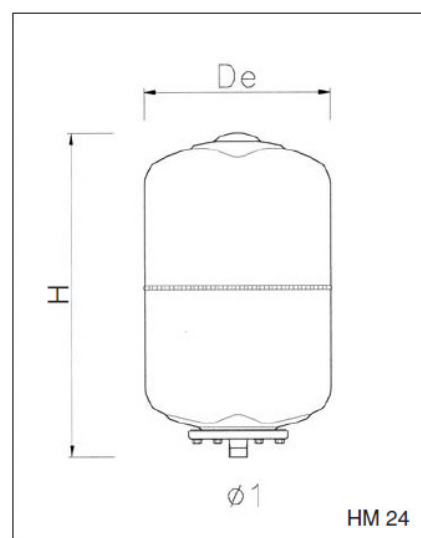


*These stainless steel pressure vessels represent the top of the Elbi range in terms of quality. Designed as stand-alone units, and not just as a stainless steel version of the more standard carbon steel products, the HI-NOX expansion vessels are manufactured using all the specific techniques and equipment required of stainless steel. Special attention has also been paid to the polishing of the products and aesthetic features in general.*

12

The HI-NOX range comes in different versions in order to meet all the application requirements for that type of products

- The HX-2F model is particularly suited as a water hammer damper.
- The replaceable bladder HM and HM-GPM models are definitely recommended for small water pressurisation units where the quality and sanitation of water is of paramount importance;
- Similarly in style to the painted steel standard version, the HM-GPM-24 model has been designed to implement smaller, compact-type, water pressurisation units;
- All the HI-NOX series expansion vessels come standard-equipped with EPDM bladders.
- In compliance with essential safety requirements of European directive 97/23/EC;
- CE marking (type HX 2 F without CE marking).
- Working temperatures:  $-10^{\circ} \div 99^{\circ}\text{C}$ .



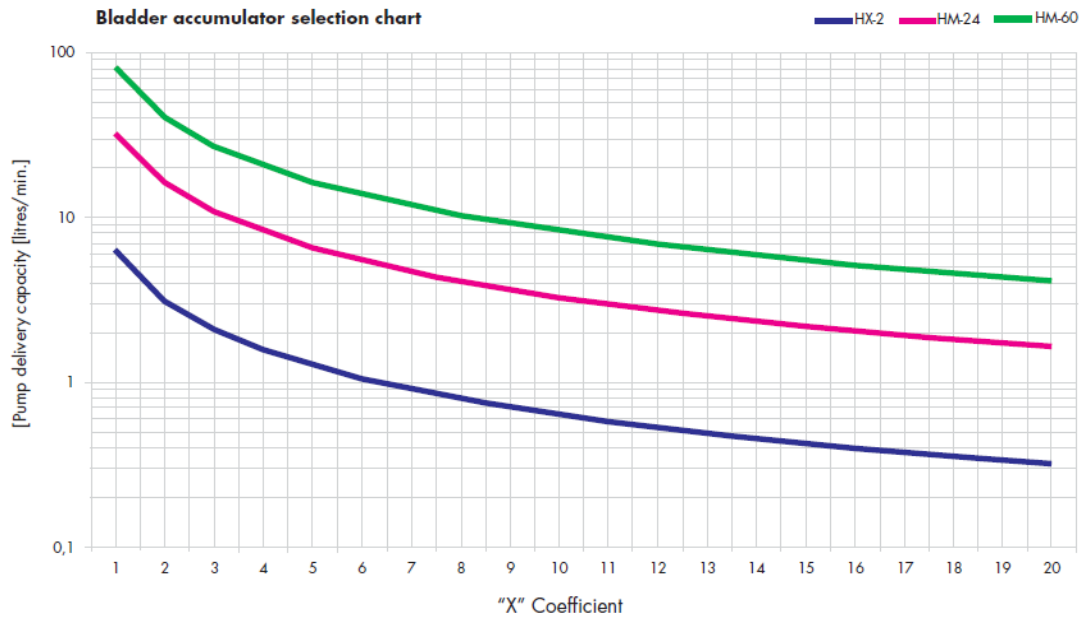
Type	Capacity litres	Working pressure bar	Precharge pressure bar	De mm	H mm	L mm	ø1	Packaging mm
HX 2 F	2	10	1,5	130	225	-	3/4"	150x150x240
HS 24 CE	24	10	1,5	360	420	-	1"	360x360x380
HM 24 CE	24	10	1,5	270	475	-	1"	280x280x480
HM 24 GPM CE	24	10	1,5	270	285	475	1"	280x480x300
HM 60 V CE	60	10	1,5	400	775	-	1"	410x410x80
HM 60 H CE	60	10	1,5	400	480	655	1"	410x685x495

1 MPa = 10 bar

Distribuidor autorizado para todo o Brasil

- A Magral se reserva o direito de efetuar alterações sem avio prévio.
- **Dúvidas ou esclarecimentos, favor contatar nosso depto técnico.**

**MAGRAL**<sup>®</sup>  
HIDRÁULICA E PNEUMÁTICA  
www.magral.com.br - 11 2021-7202



To make sizing easier, a chart has been drawn up to select the most appropriate accumulator according to both working pressure and delivery criteria. Note that the chart is based on the following hypothesis: standard precharge and 15 pump starts per hour (see p.19 to identify the "X" coefficient).

